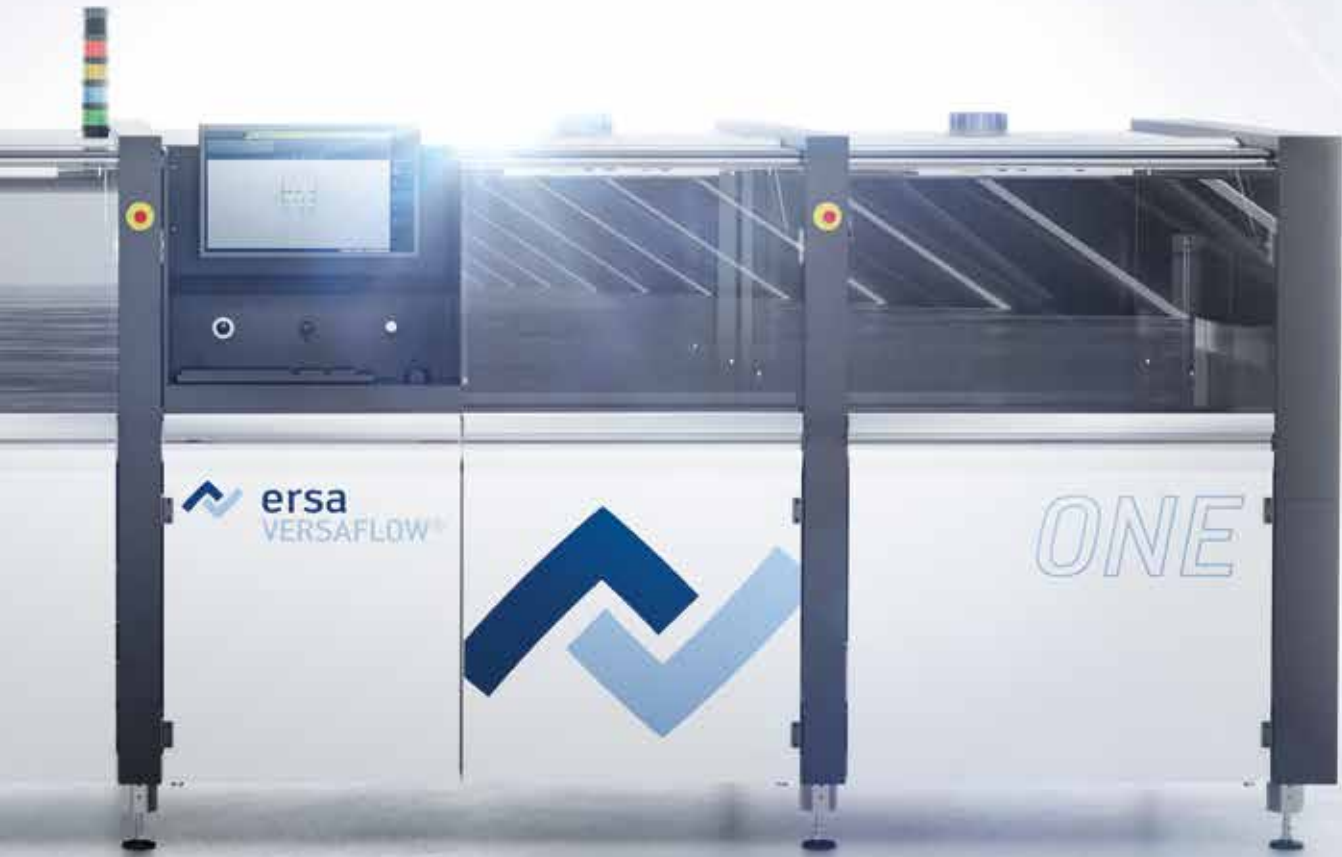


THE ONE. **FOR EVERYONE.**

The VERSAFLOW ONE – Your Entry into Selective Soldering Excellence.



GLOBAL. AHEAD. SUSTAINABLE.



THE ONE.
**GREAT
PERFORMANCE.**

VERSAFLOW ONE – High Quality and Throughput with a Compact Footprint.



VERSAFLOW ONE – Highest quality and throughput with a compact footprint

Ersa is presenting VERSAFLOW ONE the new entry-level model into the world of VERSAFLOW inline selective soldering machines. The VERSAFLOW ONE embodies decades of know-how gained by the market leader in the form of proven hardware and intuitive software (ERSASOFT 5). Even with its compact dimensions and very attractive price, this machine does not require the user to make any compromises in terms of quality and throughput.

When designing the VERSAFLOW ONE, the Ersa developers focused on the requirements most customers need for successful selective soldering. As the quintessence of this, the smallest VERSAFLOW has been developed to focus consistently on productivity and profitability. This makes it not just any entry-level model - instead, with its flexible, future-proof configuration, it offers direct access to more quality, performance, productivity, variability and excellent services.

Thanks to an improved heating system in the cross profile the power requirement of the machine has been significantly reduced, resulting in energy savings of 10 %.

Features

- Entry into the VERSAFLOW world
- Proven VERSAFLOW technology
- Highest quality and services
- High throughput
- 10 % energy savings
- Compact footprint



Fast and easy soldering program set-up and stable processes guarantee perfect soldering results

Just set it up, switch it on, and solder. Optimal selective soldering cannot be faster or easier.

The VESRAFLOW ONE is particularly user-friendly. The intuitive ERSASOFT 5 software stands out here. Thanks to the integrated CAD Assistant 4, creating of soldering programs is child's play. No complicated start-up phase means faster profit from new efficiency.

The VERSAFLOW ONE is available with one or two solder modules and has proven Ersra quality on board – such as automatic nozzle activation, process camera, or IR bottom heating. Customers gain special added value from the x-variability version (optionally available as 2-stopper version), which leads to a significant increase in throughput – a feature that is unique in the entry-level class and will be available in spring 2022.

The VERSAFLOW ONE therefore becomes the machine that further increases productivity and cost-effectiveness in every electronics production with fast setup and intuitive operation.

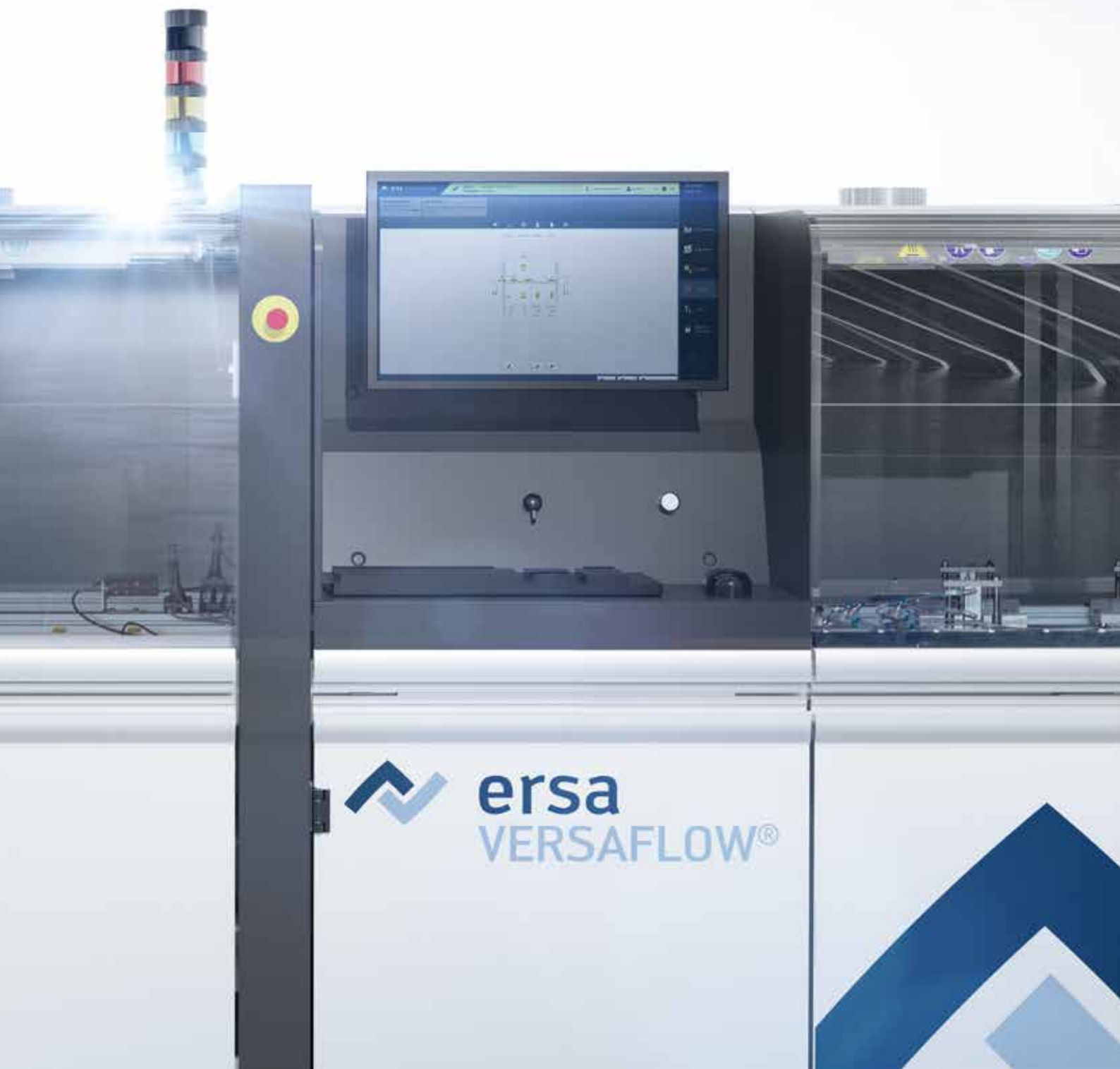
Features

- Fast start-up
- Award-winning user interface
- Intuitive operation
- Fast & easy program setup



THE ONE. **EASY SOLDERING.**

Intuitive User Interface and Operation – Switch On and Get Perfect Soldering Results.



THE ONE. **A SAFE INVESTMENT.**

Future Proof Technology and Services
from the World Market Leader.





Reliable and future proof technology from the leading VERSAFLOW world

With the inline selective soldering platforms VERSAFLOW 3 and VERSAFLOW 4, Erska is the undisputed technology and world market leader. The VERSAFLOW ONE now offers all electronics manufacturing companies an entry into the excellent VERSAFLOW technology, which is used very successfully by 5,000 satisfied selective soldering customers worldwide.

Thanks to its modular design, the VERSAFLOW ONE can also be expanded later on, to ensure that customers remain successful in the long-term. Even as an entry-level model, the VERSAFLOW ONE is available in various versions and can be equipped with 1, 2 or 4 solder pots to further increase throughput if desired.

Of course, all VERSAFLOW ONE customers benefit from the worldwide Kurtz Erska network with comprehensive services according to common standards.

Features

- Future proof technology
- Sustainable investment
- Flexible configuration
- Modular design
- Excellent, worldwide services



Due to series production with the most popular configuration features, the VERSAFLOW ONE is available directly from stock

Even with its compact dimensions and very attractive price, this machine does not require the user to make any compromises in terms of quality and throughput. Just set it up, switch it on, and solder. It couldn't be faster or easier to carry out optimum selective soldering.

And this is also true in times when delivery situations are not always easy. In addition to throughput and ease of maintenance, the VERSAFLOW ONE also scores in areas such as availability, which has recently become a decisive factor in purchasing decisions. With a delivery time of about two to four weeks, Ersal offers the highest availability worldwide – another important argument.

Features

- Short delivery time from stock
- Most popular machine configuration



THE ONE. **AVAILABLE AT ONCE.**

Short Delivery Time due to Serial Production with the
Most Popular Configuration.



VERSAFLOW ONE – Basic configuration

- 3 mm pin-and-chain conveyor with automatic conveyor width adjustment
- 127 µm spray head with 1.8 l flux tank
- bottom-side IR emitter
- 1 solder pot with electromagnetic pump
- ERSASOFT 5



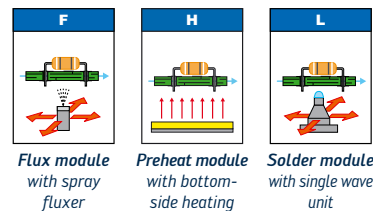
Fig. VERSAFLOW ONE FF

VERSAFLOW ONE F

Configuration:

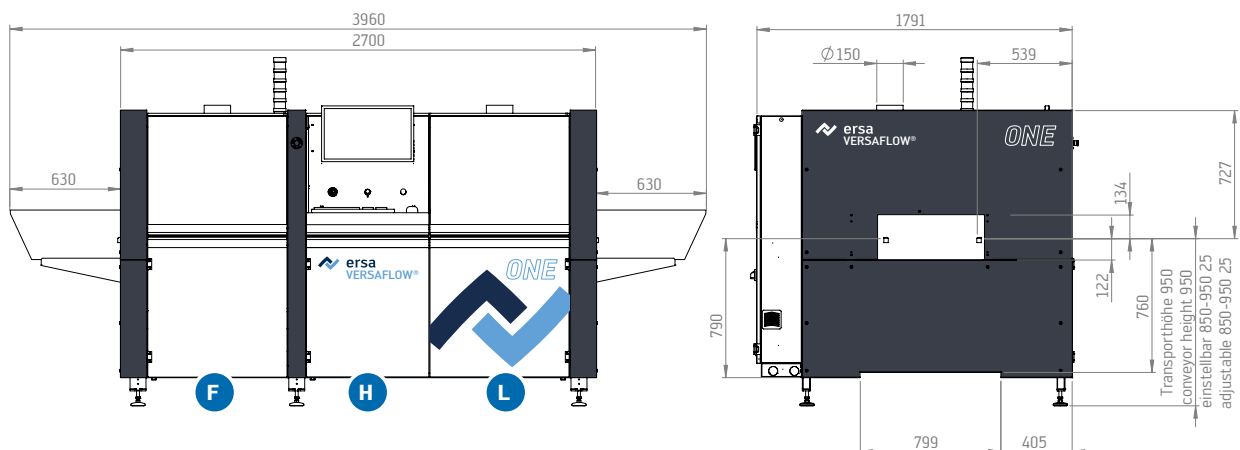
- Programmable conveyor width adjustment
- 3 mm pin-and-chain conveyor
- Spray head 130 µm, stainless steel
- Bottom-side preheater, IR emitter
- 1 solder pot
- Automatic solder wire feeder
- Automatic nozzle activation
- Process monitoring camera
- SMEMA – Inline interface for In- and Outfeed

Modules:



Measurements:

- Length: 2,700 mm (3,960 mm with in- & outfeed)
- Width: 1,791 mm
- Height: 1,577 mm





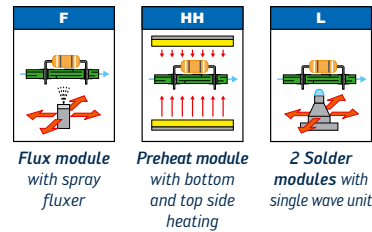
More models from
Spring 2022!

VERSAFLOW ONE FF

Configuration:

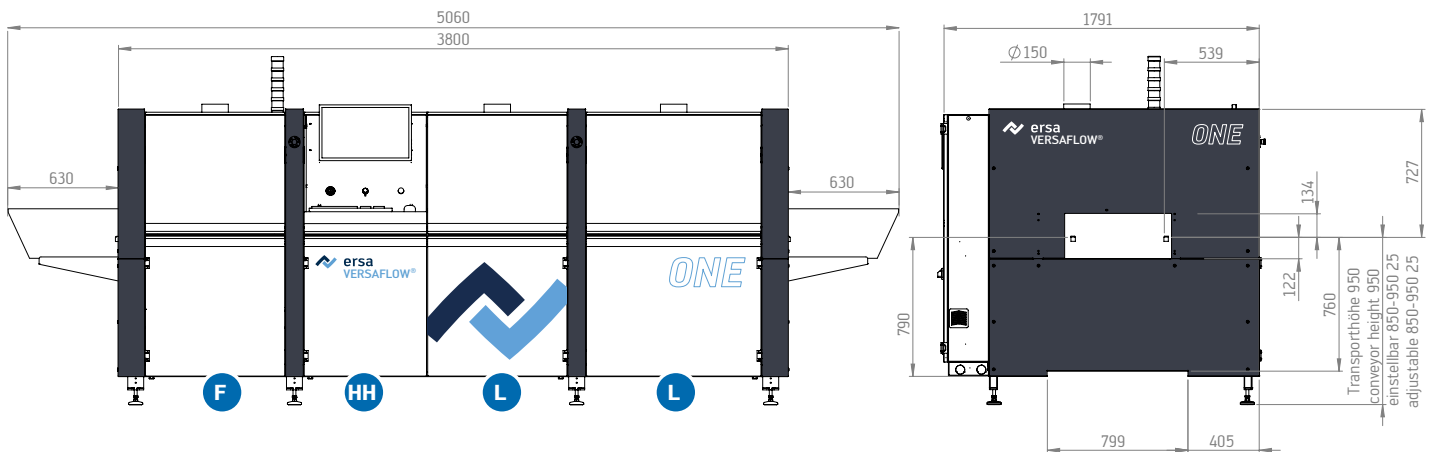
- programmable conveyor width adjustment
- 3 mm pin- and-chain conveyor
- Spray head 130µm, stainless steel
- Bottom-side preheater, IR emitter
- 2 solder module with one solder pot each
- 1x automatic solder wire feeder per solder module
- 1x automatic nozzle activation per solder module
- 1x process monitoring camera per solder module
- SMEMA Inline interface for in- and outfeed

Modules:



Measurements:

- Length: 3,800 mm (5,060 mm with in- & outfeed)
- Width: 1,791 mm
- Height: 1,577 mm



VERSAFLOW ONE – Technical Data

Conveyor system

Type	segmented pin-and-chain conveyor for PCB transport without workpiece carrier
PCB width	100 – 508 mm
PCB length	150 – 508 mm
Clearance from PCB edge	3 mm
PCB top-side clearance	120 mm
PCB bottom-side clearance	80 mm
Conveyor speed	1,5 – 15 m/min
PCB weight	max. 8 kg

Flux module

Type	Precision spray flux system 2-axis positioning system
Flux tank	1,8 l
Positioning speed	0,5 – 200 mm/s
Positioning accuracy	±0,25 mm
Spray width	2 – 8 mm (130 µm spray head)

Preheat module

Type	IR emitter, bottom-side
Power	max. 10,8 kW IR-emitter

Solder module single wave

Solder wave height	max. 5 mm
Clearance from PCB edge	3 mm
Solder volume	approx. 14 kg Sn63Pb; approx. 13 kg lead-free alloy
Solder temperature	max. 330 °C
Warm-up time	75 min. (to 280 °C)
Positioning speed	0,5 – 100 mm/sec
Positioning accuracy	±0,25 mm

Nitrogen technology

Nitrogen supply	to be supplied locally
Nitrogen injection	N ₂ -cover over the solder bath
Required pressure	6 bar
Nitrogen consumption	approx. 2 m ³ /h per solder pot
Particle cleanliness (recommendation)	5.0

Compressed air

Compressed air supply	to be supplied locally
Required pressure	6 bar
Consumption	< 5 m ³ /h

Electrical data

Power	5-wire system, 3 x 230/400 V, N, PE
Power tolerance range	+6 %, -10 %
Frequency	50/60 Hz
Power consumption	37,6 A

Exhaust rating

Exhaust stacks	2 St., AD 150 mm (F) 3 St., AD 150 mm (FF)
Exhaust volume per stack	250/200 m ³ /h (F) 250 m ³ /h / 300 m ³ /h (200 m ³ /h) (FF)

Environmental specs/noise level

Ambient temperature	15 – 35 °C
Permanent sound level	< 65 dB (A)

(F) VERSAFLOW ONE F, (FF) VERSAFLOW ONE FF

Worldwide presence

With local representatives and our own sales and service offices:

America

Kurtz Ersä, Inc.
1779 Pilgrim Road
Plymouth, WI 53073
USA
Phone +1 920 893 3772
aus den US: 1 800 363 3772
usa@kurtzersa.com
www.ersa.com

Mexico

Kurtz Ersä, S.A. de C.V.
Av. Lopez Mateos Sur Núm. 1450 Int. 7
Col. Las Villas (Plaza las Villas)
Tlajomulco de Zúñiga, Jalisco
C.P. 45643
México
Phone +52 33 15 93 18 63
info-kmx@kurtzersa.com
www.ersa.com

Asia

Kurtz Ersä Asia Ltd.
Unit 03-05, 8th Floor
One Island South
No. 2 Heung Yip Road
Wong Chuk Hang
Hongkong
China
Phone +852 2331 2232
asia@kurtzersa.com
www.ersa.com

China

Ersä Shanghai
Room 720, Tian Xiang Building
No. 1068 Mao Tai Rd.,
Shanghai 200336
China
Phone +86 213126 0818
info-esh@kurtzersa.com
www.ersa.com

Phone +49 9342 800-0

Fax +49 9342 800-127

info@ersa.de

www.ersa.com

Vietnam

Kurtz Ersä Vietnam Company Limited
B916 Road 3, Kizuna 2 Factory Area, Lot
B4-3-7-8, Tan Kim IP, Can Giuoc Dist.
Long An Province, Vietnam
Phone +84 2723 733 682
info-kev@kurtzersa.com
www.ersa.com

India

Kurtz Ersä India
Smart Production Technologies
Private Limited
Plot Nr 18, Survey No. 43
KA 560100 Bangalore
Telefon: +91 973 954 5461
india@kurtzersa.com
www.kurtzersa.com

France

Kurtz Ersä FRANCE
2, Avenue de Wissembourg
67500 Haguenau
France
Phone: +33 6 07 78 01 87
kefrance@kurtzersa.com
www.ersa.com

Ersä GmbH

Leonhard-Karl-Str. 24

97877 Wertheim/Germany

