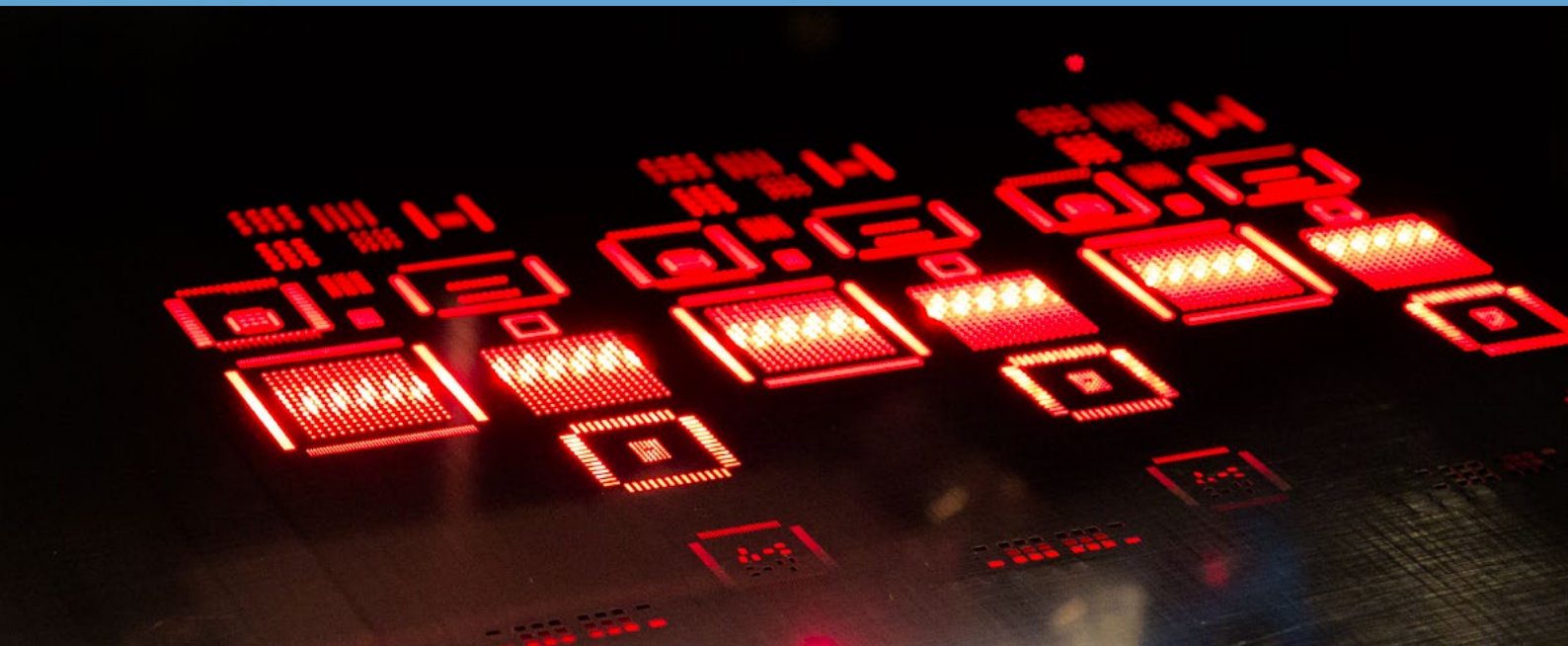


# VERSAPRINT 2 ELITE

Flexible and future proof machine concept,  
easy operation, perfect production results



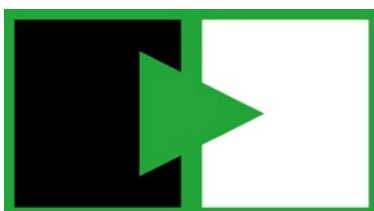
# VERSAPRINT 2 ELITE

Flexible and future proof machine concept,  
easy operation, perfect production results



## Highlights VERSAPRINT 2

- PCB dispenser
- Retractable over top clamping
- Pin positioning
- Paste height control
- Closed-loop for SPI
- Flexible substrate support systems
- Setup control and DMC
- Dispenser for print media on stencil



**The Hermes Standard**  
for "M-to-M" in SMT Assembly

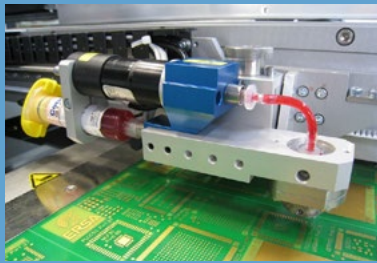
The VERSAPRINT 2 ELITE is the ideal printers to enter line production. It is perfectly suited for customers expecting a perfect print result in combination with an easy to use printer system. The printer is equipped with an area camera that uses two separate camera modules. Both modules have two illumination techniques: direct and diffuse illumination, thus qualifying them to recognize even most complicated structures on the substrate.

Integrated in the standard systems, the programmable automatic stencil cleaning system ensures quick and efficient cleaning results of the bot-

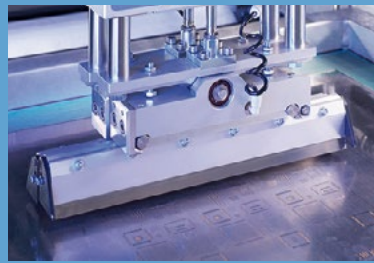
tom side of the stencil whenever a cleaning cycle is necessary.

A wide range of options is available to configure the VERSAPRINT 2 ELITE printers for production needs. Setup control, Data Matrix Code reader, retractable over top clamping, air conditioning and PCB dispenser are only a few examples of the options available.

Combining the VERSAPRINT 2 ELITE with an SPI system the closed loop function feedbacks the result to the printer which could be used to optimize the printing process. Certainly the printers can be



Dispenser (PCB)



Maintenance: Squeegee cleaning



Retractable over top clamping



### Basic configuration VERSAPRINT 2 ELITE

- Area camera
- Stencil cleaner

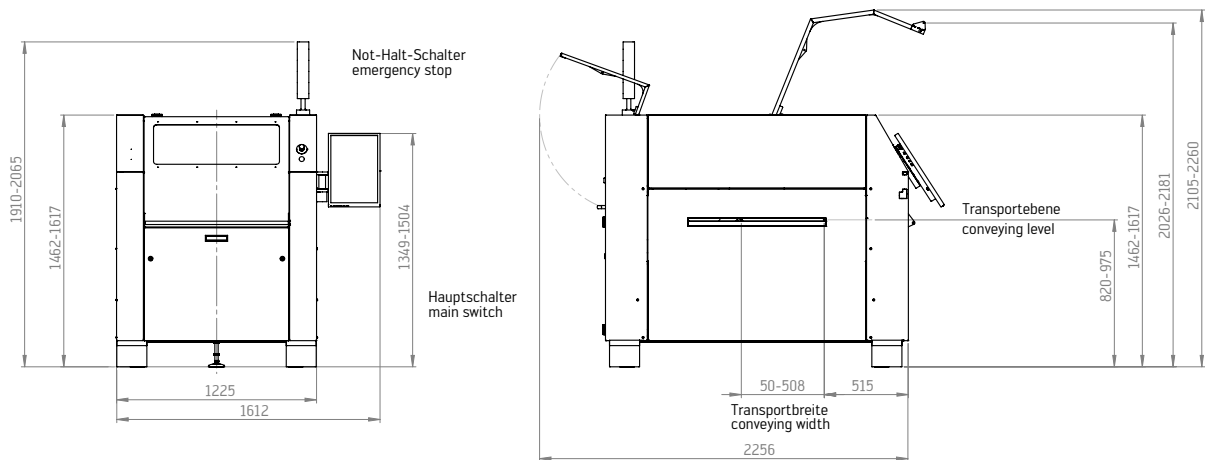
equipped with the optionally available 2D inspection to verify the position, quality and the risk of shorts for glue or solder paste printing. On the stencil the apertures and under stencil smearing will be inspected.

The VERSAPRINT 2 ELITE is not retrofittable. For this the VERSAPRINT 2 ELITE plus is optimal. This machine can be retrofitted with a 100% 2D inspection (PRO<sup>2</sup>) or 100% 3D inspection (ULTRA<sup>3</sup>).

### Options VERSAPRINT 2 ELITE

PCB Inspection: paste on pad, recognition of solder bridges and print offset	<input type="checkbox"/>
Stencil inspection: clogging and smearing	<input type="checkbox"/>
Paste height control – stencil	<input type="checkbox"/>
Dispenser for print media on stencil	<input type="checkbox"/>
Retractable over-top clamping	<input type="checkbox"/>
Temperature control	<input type="checkbox"/>
Data Matrix Code reader – top- and bottom side	<input type="checkbox"/>
Setup control	<input type="checkbox"/>
Support systems: VarioGrid, GridLok and Quik-Tool	<input type="checkbox"/>
Closed loop printer – SPI	<input type="checkbox"/>

# Technical data VERSAPRINT 2 ELITE



## Machine dimensions

Width:	1,225 mm
Depth:	1,855 mm
Height:	1,600 mm
Weight:	860 kg
Colour:	RAL 7035/7016

## Substrate handling

min. substrate size (X x Y):	80 x 50 mm
max. substrate size (X x Y):	680 x 500 mm
Substrate thickness:	0.5 – 6 mm
Component clearance:	0 – 30 mm
Inspection area:	550 x 500 mm

## Stencil mount

stencil size:	min. 450 x 450 mm – max. 737 x 737 mm, adjustable without adapter
---------------	---

## Print parameters

Print head:	two independent print heads; continuous pressure control in a closed-loop system; adjustable squeegee down stop weight compensation for different squeegee length
Print force:	0 – 260 N

## Vision

Camera:	area camera for alignment and inspection
FOV (field of view):	10.5 x 8 mm

## Performance

Repeatability:	± 12.5 µm @ 6 Sigma
Print accuracy:	± 25 µm @ 6 Sigma
Cycle time:	< 10 s + print
Setup time:	< 10 min
Product change:	< 2 min

## Machine operation

Graphic user interface:	SEMI Standard E95-1101
-------------------------	------------------------

### America

Ersa North America  
info-ena@kurtzera.com

### Asia

Kurtz Ersa Asia Ltd.  
info-eap@kurtzera.com

### France

Ersa France  
info-efr@kurtzera.com

### Mexico

Kurtz Ersa, S.A. de C.V.  
info-kmx@kurtzera.com

### China

Ersa Shanghai  
info-esh@kurtzera.com

Ersa GmbH | Leonhard-Karl-Str. 24  
97877 Wertheim/Germany

Tel. +49 9342 800-0  
info@ersa.de | www.ersa.com

 **kurtz ersa**